

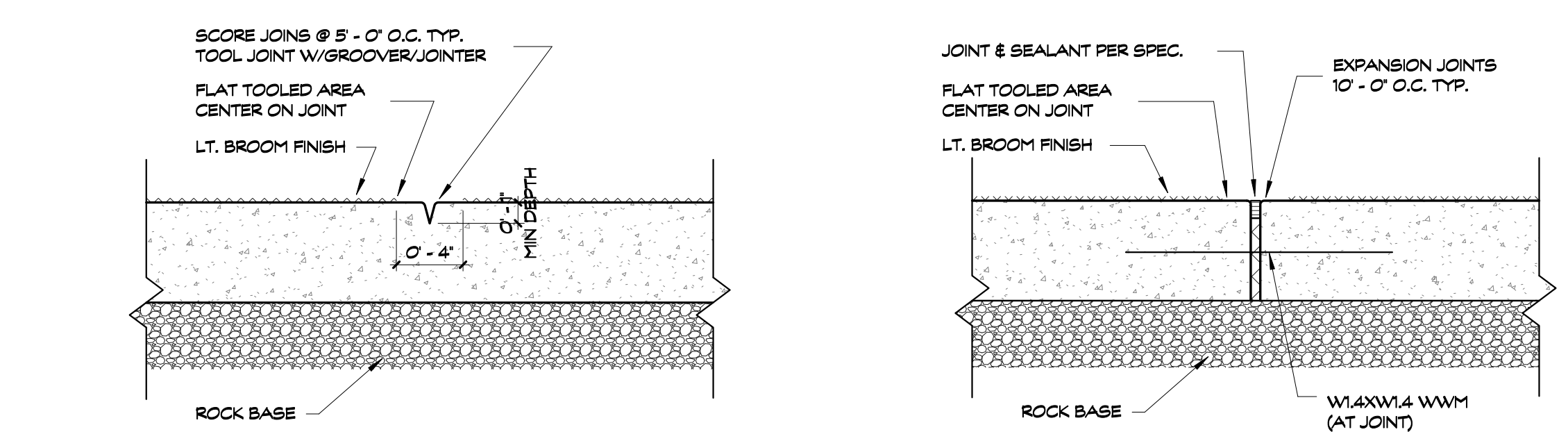
MARK	DATE	DESCRIPTION
	03/20/2015	PERMIT SUBMITTAL

ARCHITECT: J.V.	DATE: 20 MAR 2015
DESIGNER: J.B. GSDP	PROJECT NO.: 2015-05

PHASE ONE BUILDING SHELL PERMIT SUBMITTAL
WHOLE-FOODS MARKETPLACE
HIGH ST & BROADWAY
EUGENE, OR

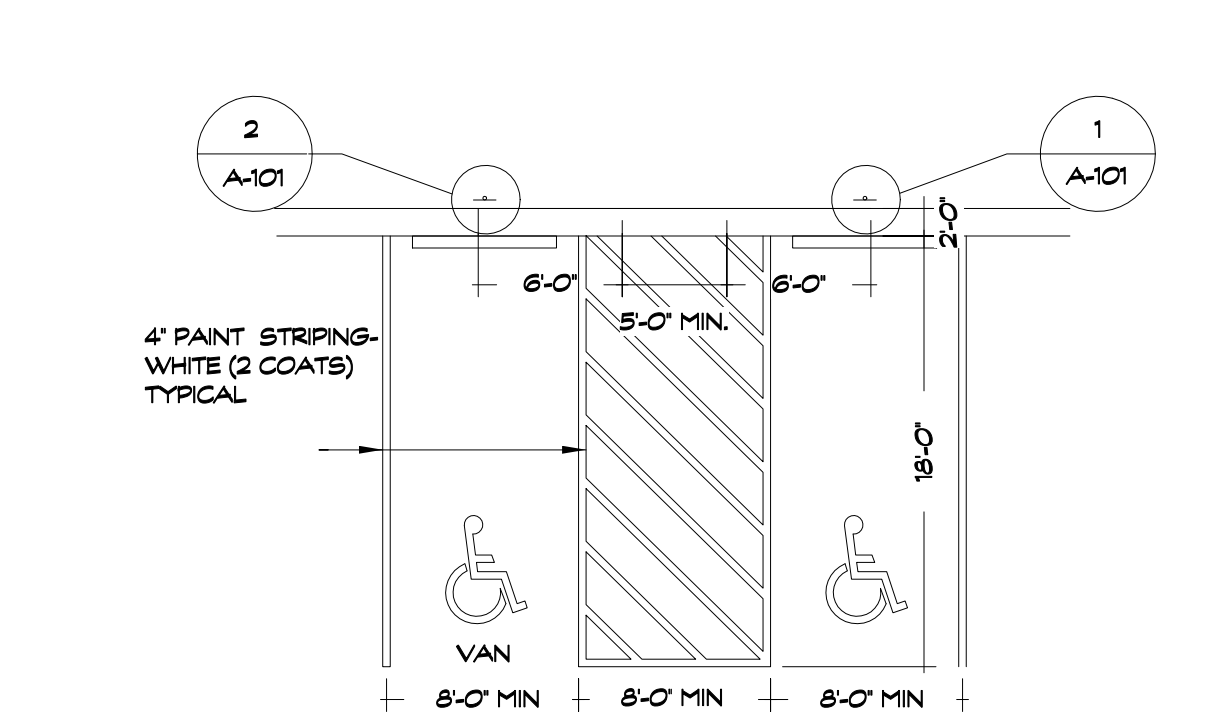
DRAWING CONTENTS:
SITE PLAN

DRAWING NO.:
A-101

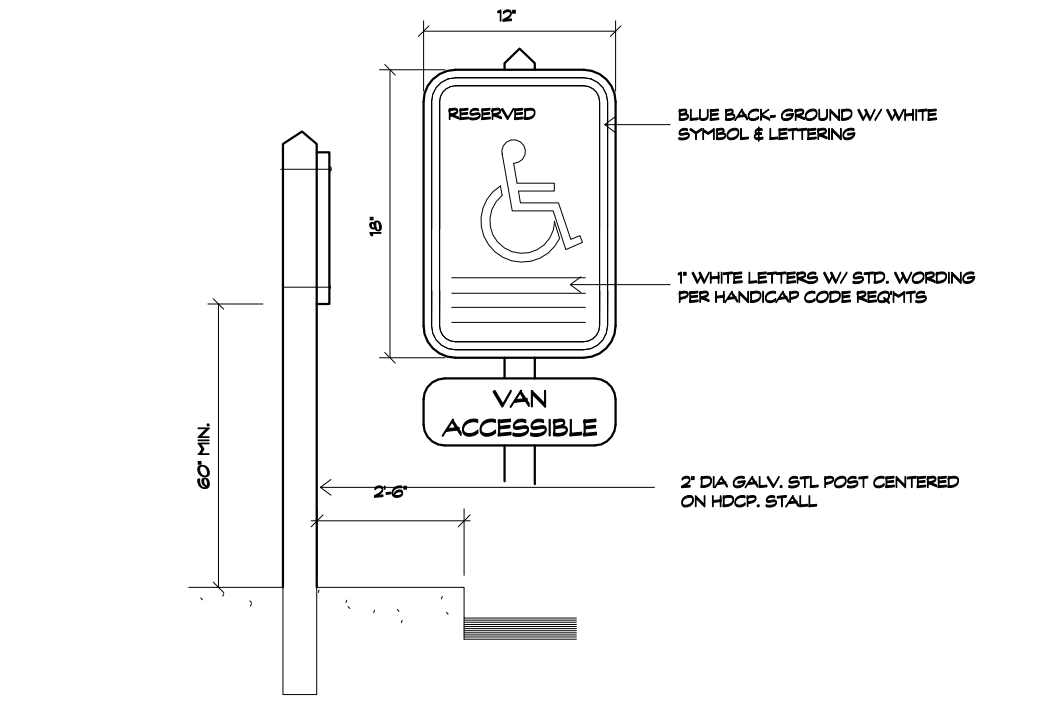


5 Score Joint
SCALE: 1 1/2" = 1'-0"

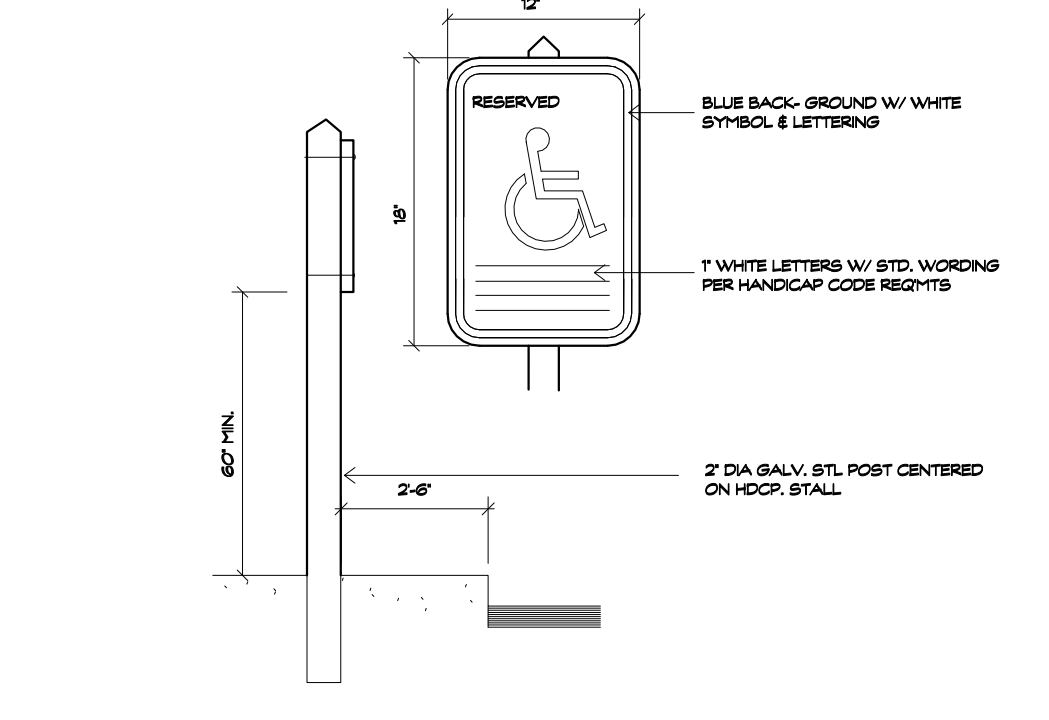
4 Expansion Joint
SCALE: 1 1/2" = 1'-0"



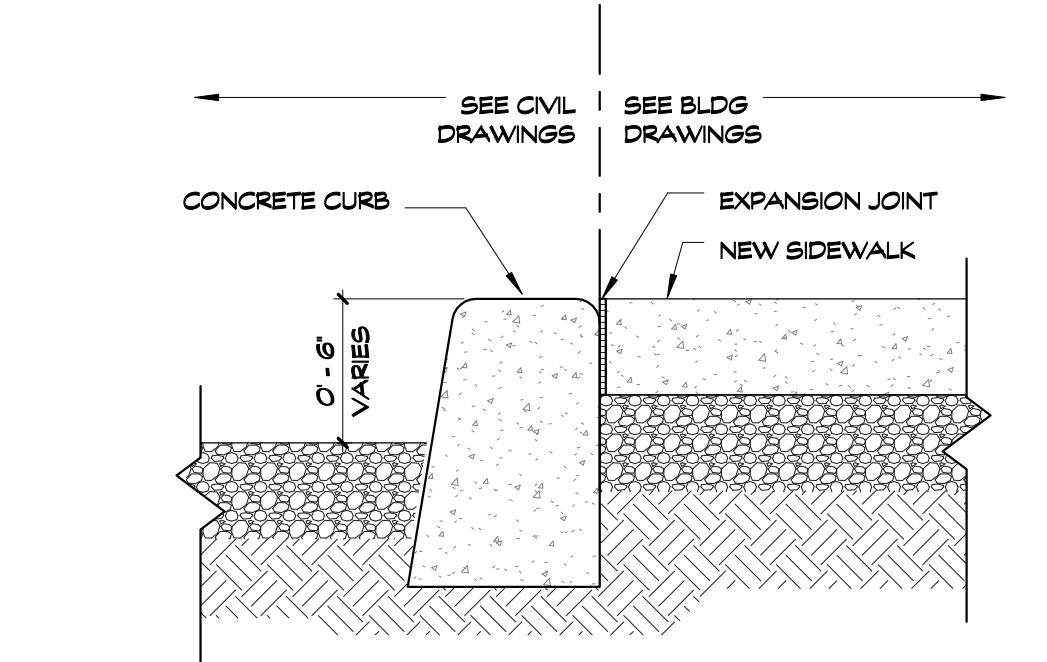
3 ADA Stall
SCALE: 1/8" = 1'-0"



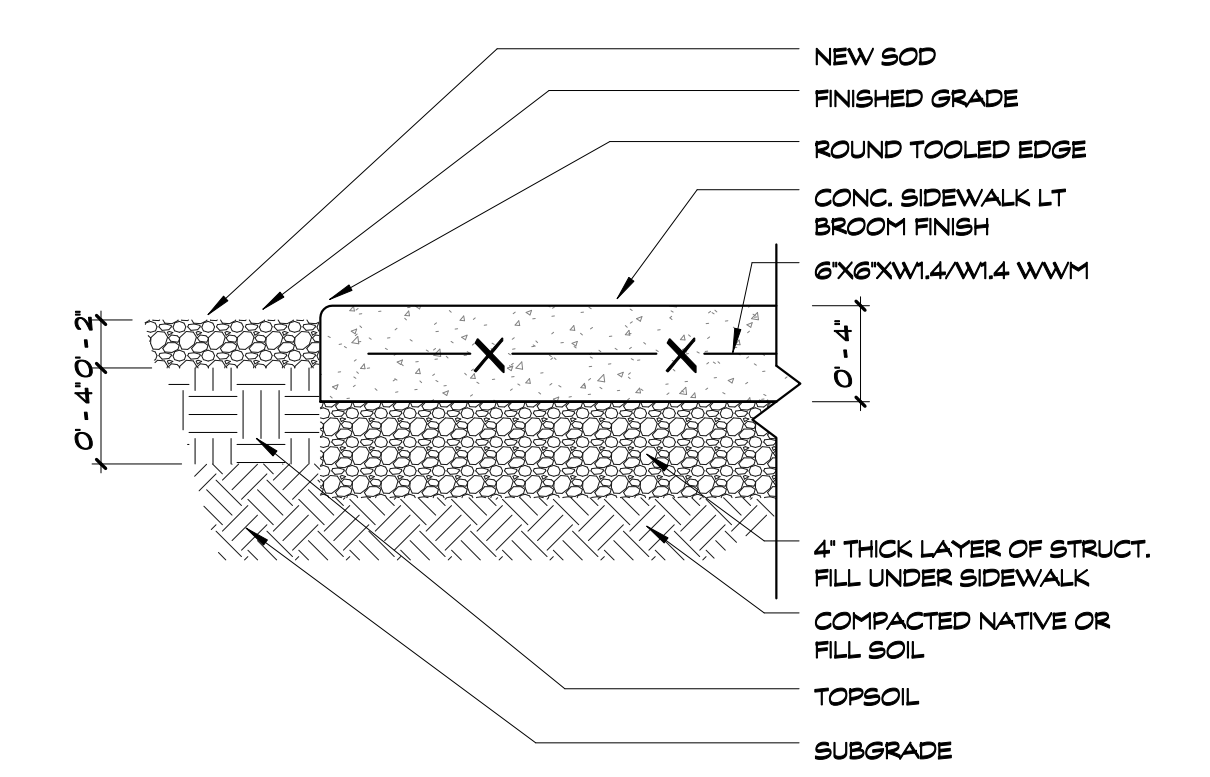
2 B.F. Van Accessible Parking
SCALE: 1" = 1'-0"



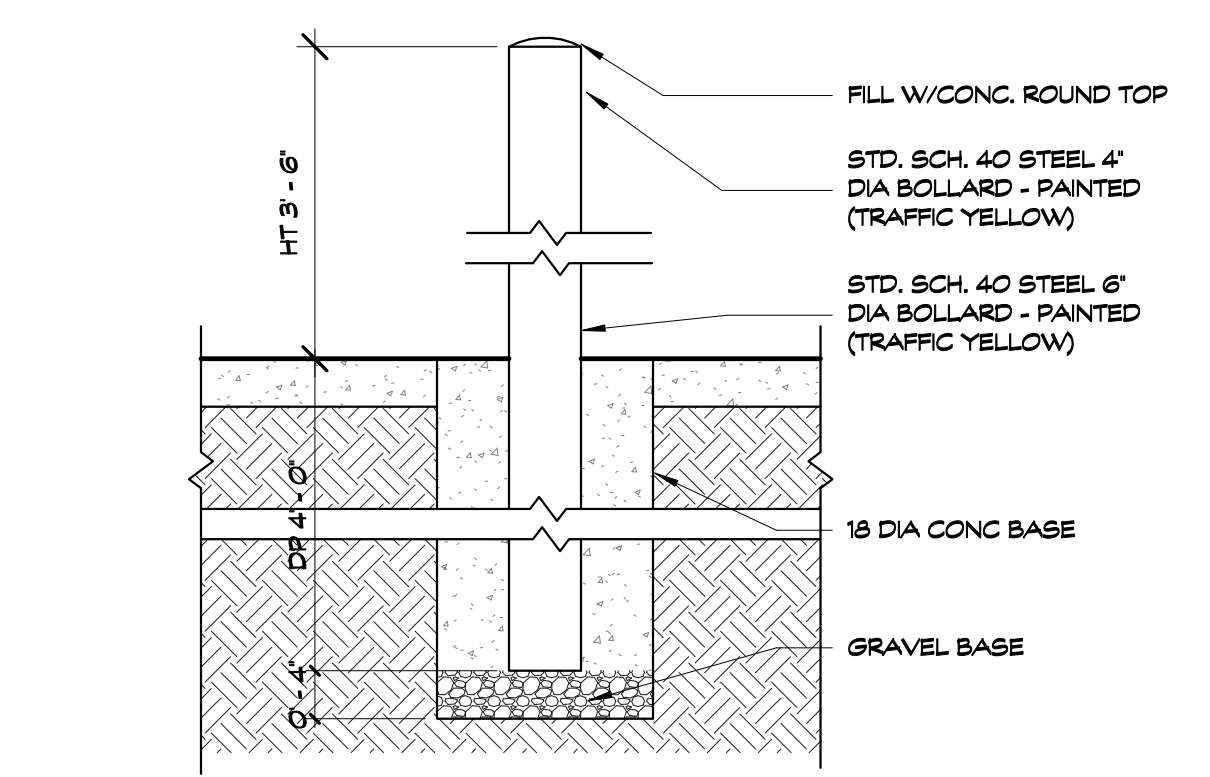
1 Barrier Free Parking Sign
SCALE: 1" = 1'-0"



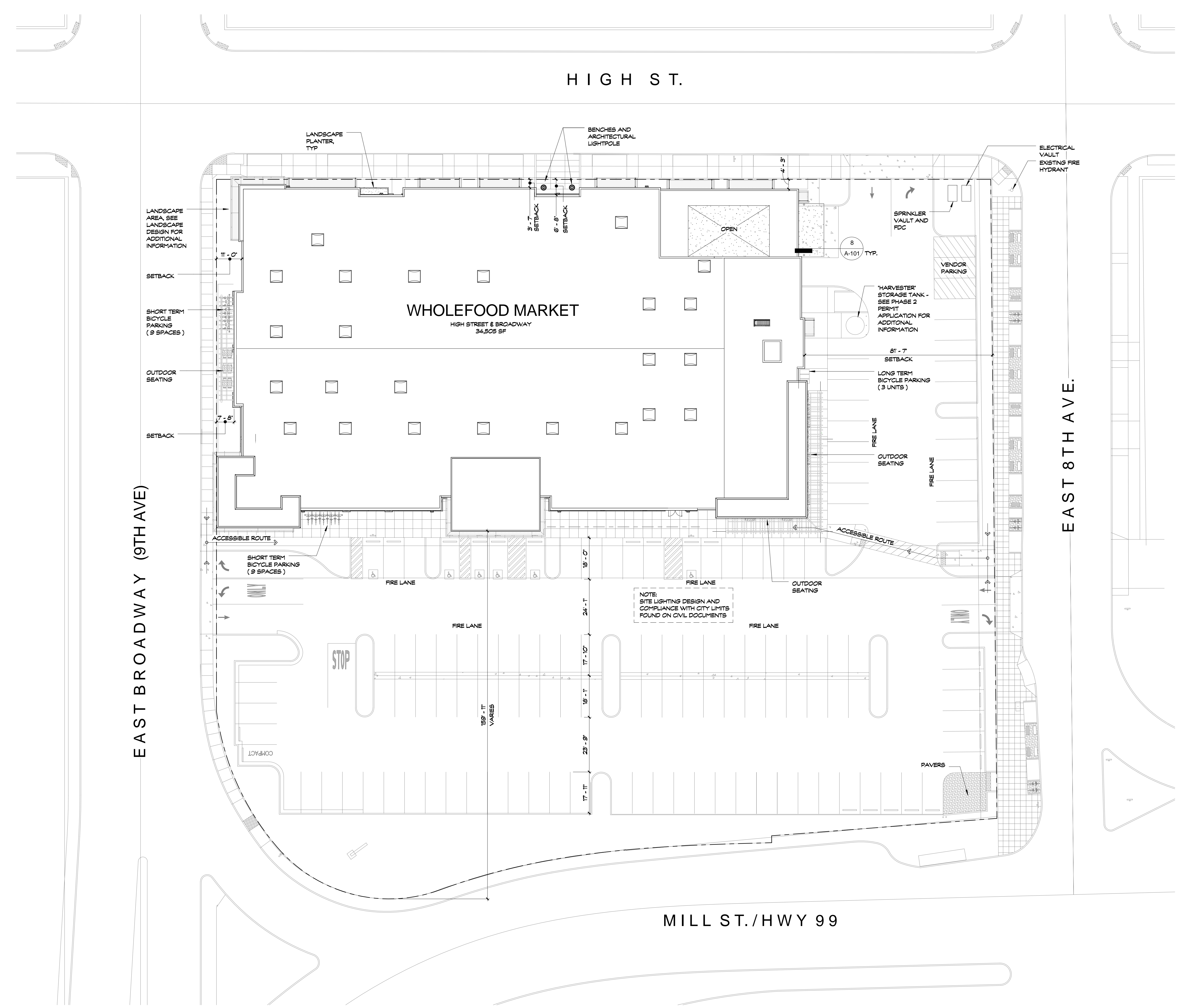
6 Thickened Edge Concrete Walk
SCALE: 1 1/2" = 1'-0"



7 Sidewalk @ Planter
SCALE: 1 1/2" = 1'-0"



8 Steel Bollard
SCALE: 3/4" = 1'-0"



A SITE PLAN
SCALE: 1" = 20'-0"